

280

Metal Fan

× 280 × 80mm



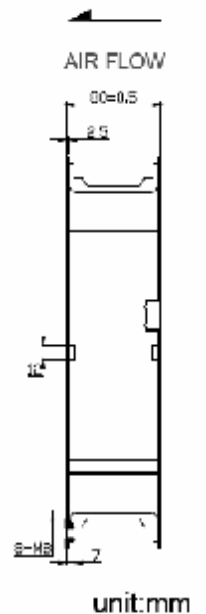
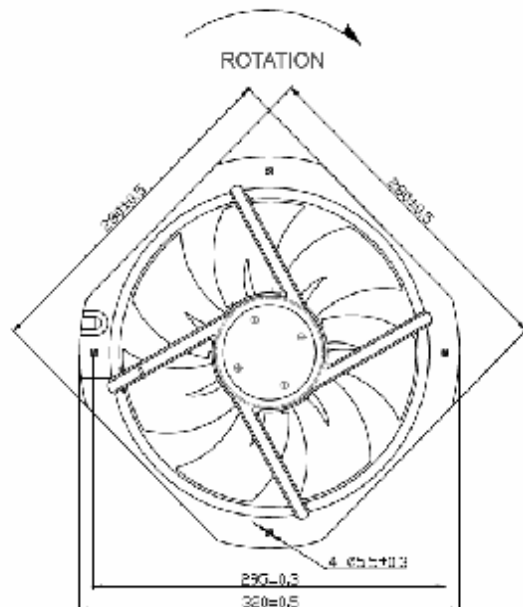
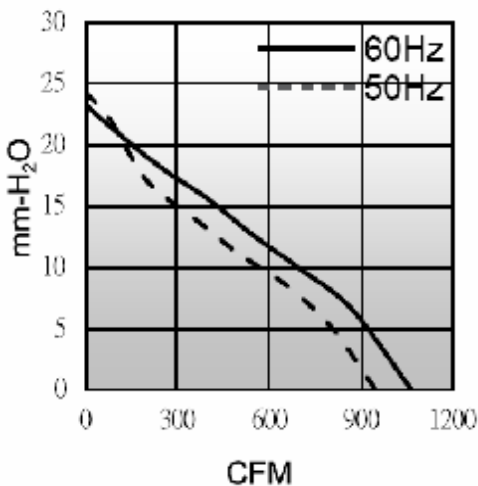
General Specifications

- Motor : Singal phase induction capacitor motor
- Frame & Impller : Metal
- Storage temperature : -40°C to +75°C
- Operating temperature : -10°C to +60°C

Major Characteristic Parameters

品牌	轴承	电压	频率	功率	转速	风量		静压		噪音
型号	B/S	V	HZ	W	RPM	m3/min	CFM	mm-H2O	In-H2O	dba
SP280B11H-80DL	B/S	110	50/60	112/148	2550/2800	30.9/32.0	1090/1130	20.0/26	0.78/1.02	68/70
SP280B22H-80DL	B/S	220	50/60	112/148	2550/2800	30.9/32.0	1090/1130	20.0/26	0.78/1.02	68/70

*Bearing system B: Two Ball Bearing S: Sleeve Bearing



unit:mm