

50 DC Blower

×50×15mm



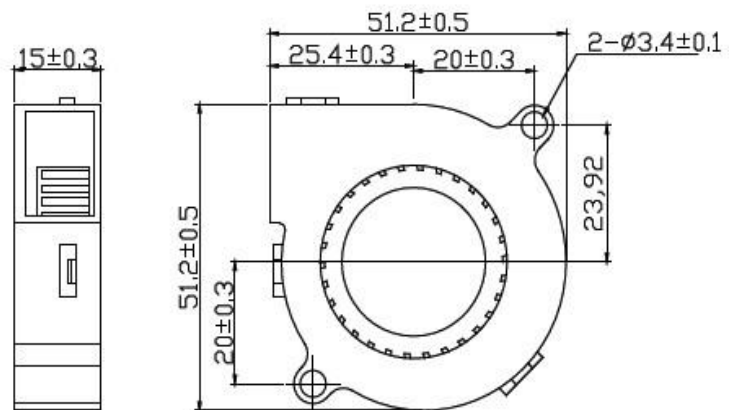
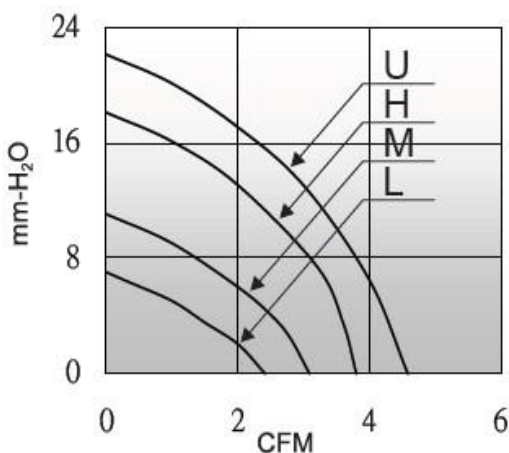
General Specifications

- Motor : 6 Poles brushless DC motor
- Frame & Impeller: Plastic (UL 94V-0)
- Storage temperature : -40° to +75°
- Operating temperature : -10° to +70°

Major Characteristic Parameters

品牌	轴承	电压	启动电压	电流	功率	转速	风量	静压	噪音		
型号	B/S	V	V	A	W	RPM	m ³ /min	CFM	mm-H ₂ O	In-H ₂ O	dba
SP50B05L-15DL	B/S	5	4.5~5.5	0.28	1.40	3500	0.067	2.35	7.0	0.26	27.0
SP50B12L-15DL	B/S	12	7.0~13.2	0.20	2.40	3500	0.067	2.35	7.0	0.26	27.0
SP50B05M-15DL	B/S	5	7.0~13.2	0.34	1.70	4500	0.089	3.14	11.2	0.44	32.5
SP50B12M-15DL	B/S	12	7.0~13.2	0.25	3.00	4500	0.089	3.14	11.2	0.44	32.5
SP50B24L-15DL	B/S	24	14.0~26.4	0.20	4.80	4500	0.089	3.14	11.2	0.44	32.5
SP50B05H-15DL	B/S	5	7.0~13.2	0.39	1.95	5500	0.107	3.77	18.1	0.71	37.2
SP50B12H-15DL	B/S	12	7.0~13.2	0.30	3.60	5500	0.107	3.77	18.1	0.71	37.2
SP50B24M-15DL	B/S	24	14.0~26.4	0.25	6.00	5500	0.107	3.77	18.1	0.71	37.2
SP50B12U-15DL	B/S	12	7.0~13.2	0.35	4.20	6500	0.130	4.60	22.0	0.87	45.3
SP50B24H-15DL	B/S	24	14.0~26.4	0.30	7.20	6500	0.130	4.60	22.0	0.87	45.3

*Bearing system B: Two Ball Bearing S: Sleeve Bearing



unit:mm